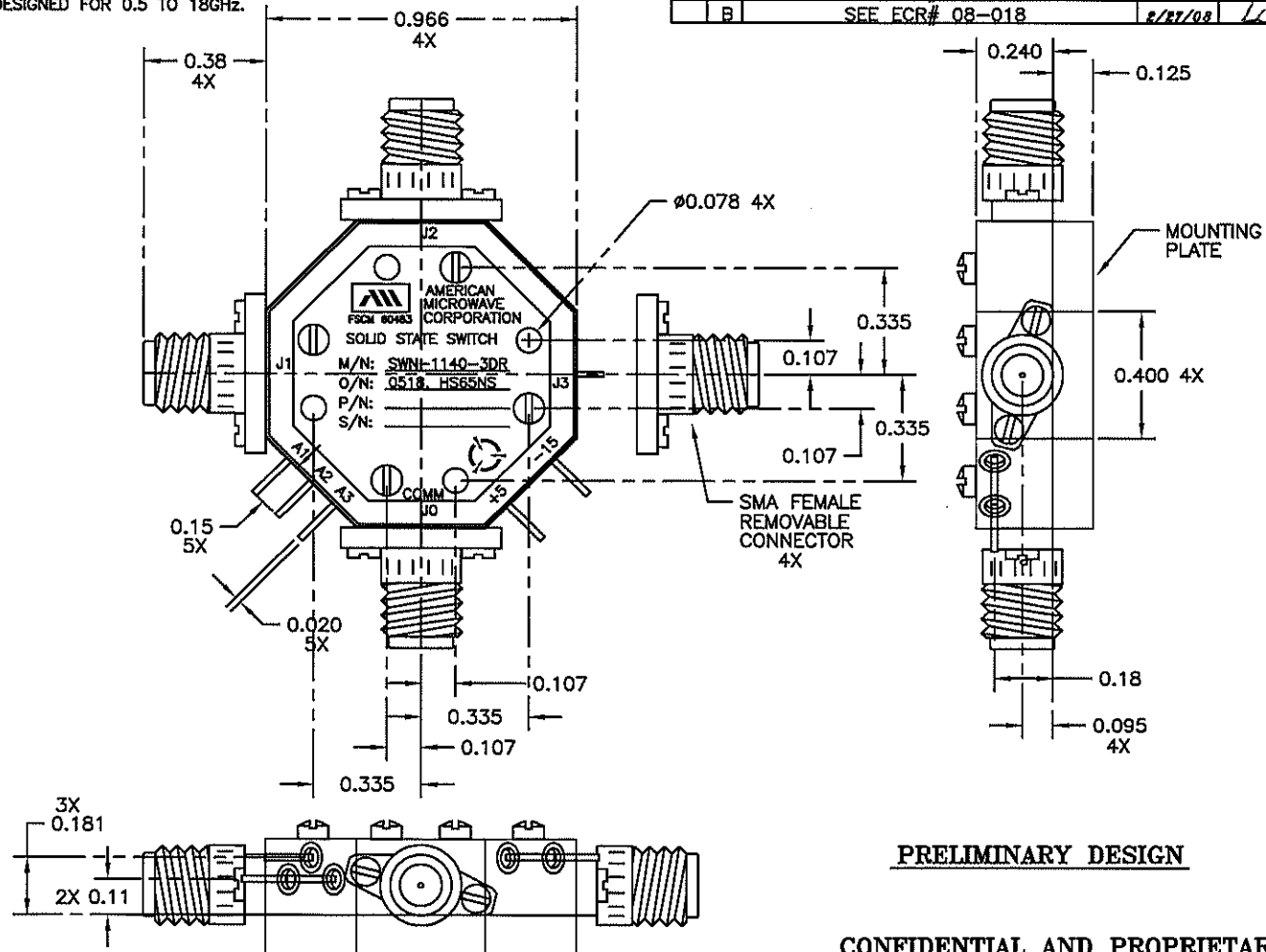
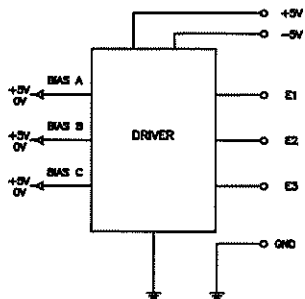
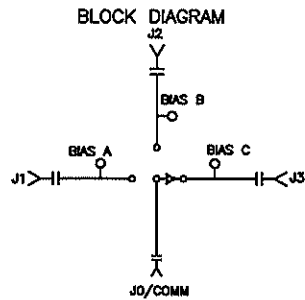


**DESCRIPTION:**

AMC MODEL SWN-1140-3DR OPTION 0518 & HS65NS IS A SINGLE POLE THREE THROW REFLECTIVE SWITCH MODULE WITH LOW INSERTION LOSS, FAST SWITCHING SPEED AND WITH INTEGRAL TTL DRIVER, DESIGNED FOR 0.5 TO 18GHz.

REVISIONS				
ZONE	REV.	DESCRIPTION	DATE	APPROVED
	-	ORIGINAL JOB# 801017XPE-1	2/18/08	
	A	SEE ECR# 08-017	2/22/08	
	B	SEE ECR# 08-018	2/27/08	LL



**PRELIMINARY DESIGN**

**CONFIDENTIAL AND PROPRIETARY**

LOGIC TABLE					
TERMINAL LEVEL			RF		
A1	A2	A3	COMM/J0 - J1	COMM/J0 - J2	COMM/J0 - J3
L	H	H	INSERTION LOSS	ISOLATION	ISOLATION
H	L	H	ISOLATION	INSERTION LOSS	ISOLATION
H	H	L	ISOLATION	ISOLATION	INSERTION LOSS

LOGIC L = LOW (0)  
LOGIC H = HIGH (1)

ALL DIMENSIONS ARE IN INCHES  
TOLERANCES:  
X.XX ±0.020  
X.XXX ±0.010

APPROVALS		DATE	TITLE	
DRAWN <i>JLW</i>		2/18/08	MECHANICAL OUTLINE	
CHECKED <i>LL</i>		2/28/08	SWN-1140-3DR	
ISSUED			OPTION: 0518, HS65NS	
			SPECIAL FOR INDRA	
SIZE	FSCM NO.	DRG NO.	REQ.	
A	60483	100-7751	B	
SCALE N/S			SHEET 2 of 3	

AMERICAN MICROWAVE CORPORATION  
FREDERICK, MARYLAND

REVISIONS				
ZONE	REV.	DESCRIPTION	DATE	APPROVED
	-	ORIGINAL JOB# 801017XPE-1	2/18/08	
	A	SEE ECR# 08-017	2/22/08	
	B	SEE ECR# 08-018	2/27/08	LL

**DESCRIPTION:**

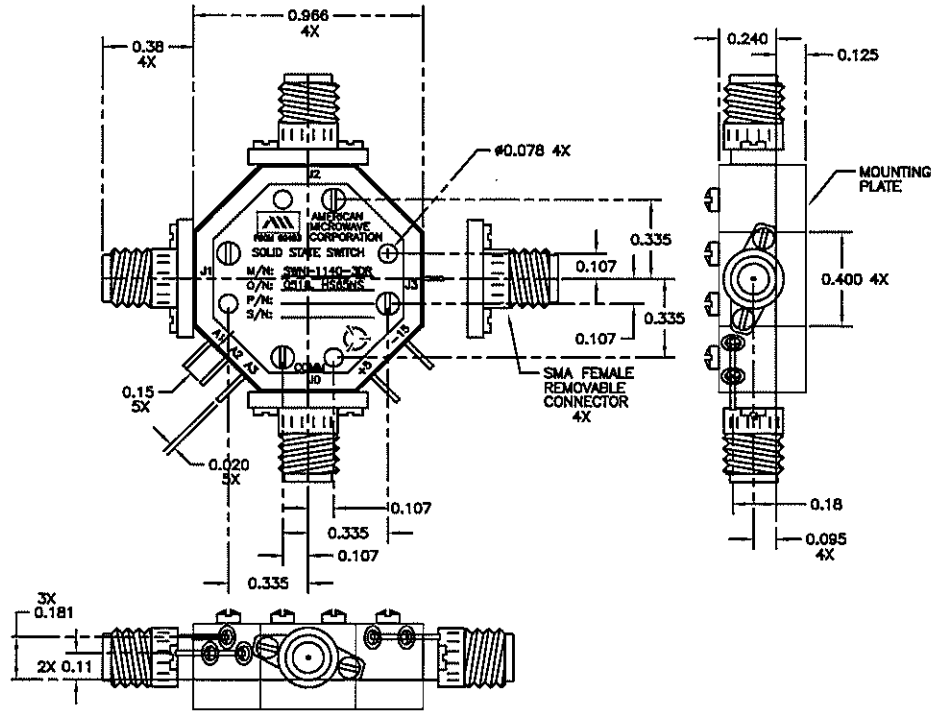
AMC MODEL SWN-1140-3DR OPTION 0518 & HS65NS IS A SINGLE POLE THREE THROW REFLECTIVE SWITCH MODULE WITH LOW INSERTION LOSS, FAST SWITCHING SPEED AND WITH INTEGRAL TTL DRIVER, DESIGNED FOR 0.5 TO 18GHz.

**SPECIFICATIONS:**

- FREQUENCY:.....0.5 TO 18GHz
- INSERTION LOSS:.....2.5 dB MAX.
- VSWR:.....2.0:1 MAX
- ISOLATION:.....60 dB MIN.
- RISE/FALL TIME:.....20nSEC MAX
- DELAY:.....65nSEC MAX.
- CONTROL:.....TTL (SEE LOGIC TABLE)
- OPERATING TEMPERATURE:.....-54°C TO +85°C
- POWER SUPPLY:.....+5 VDC ±5% @ 110 mA MAXIMUM  
-15 VDC ±5% @ 50 mA MAXIMUM
- INPUT POWER:.....(CW) +20dBm (STANDARD), +10dBm (HIGH SPEED)
- SURVIVAL POWER:.....1 WATT CW , 10W PEAK 1 us
- CONNECTORS (RF):.....REMOVABLE SMA FEMALE, 4 PLACES
- CONNECTORS (POWER):.....SOLDER PINS
- CONNECTORS (CONTROL):.....SOLDER PINS
- SIZE:.....0.966" (L) x 0.966" (W) x 0.365" (H) (WITH SPACER PLATE)

**OPTIONS:**

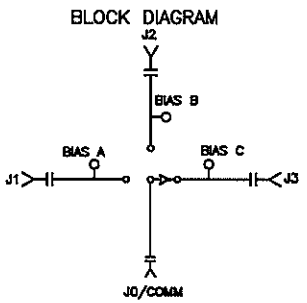
- OPTION 0518:.....0.5 TO 18GHz FREQUENCY RANGE
- OPTION HS65NS:.....65nSEC DELAY ON/OFF



**PRELIMINARY DESIGN**

LOGIC TABLE					
TERMINAL LEVEL			RF		
A1	A2	A3	COMM/J0 - J1	COMM/J0 - J2	COMM/J0 - J3
L	H	H	INSERTION LOSS	ISOLATION	ISOLATION
H	L	H	ISOLATION	INSERTION LOSS	ISOLATION
H	H	L	ISOLATION	ISOLATION	INSERTION LOSS

LOGIC L = LOW (0)  
LOGIC H = HIGH (1)



ALL DIMENSIONS ARE IN INCHES  
TOLERANCES:  
X.XX ±0.020  
X.XXX ±0.010

**CONFIDENTIAL AND PROPRIETARY**

APPROVALS		DATE	TITLE	
DRAWN: <i>JLW</i>		2/18/08	PRODUCT FEATURE	
CHECKED: <i>LL</i>		2/27/08	SWN-1140-3DR	
ISSUED:			OPTION: 0518, HS65NS	
			SPECIAL FOR INDRA	
SIZE	FORM NO.	DWG NO.	REV.	
A	60483	100-7751	B	
SCALE N/S			SHEET 1 of 3	

AMERICAN MICROWAVE CORPORATION  
FREDERICK, MARYLAND